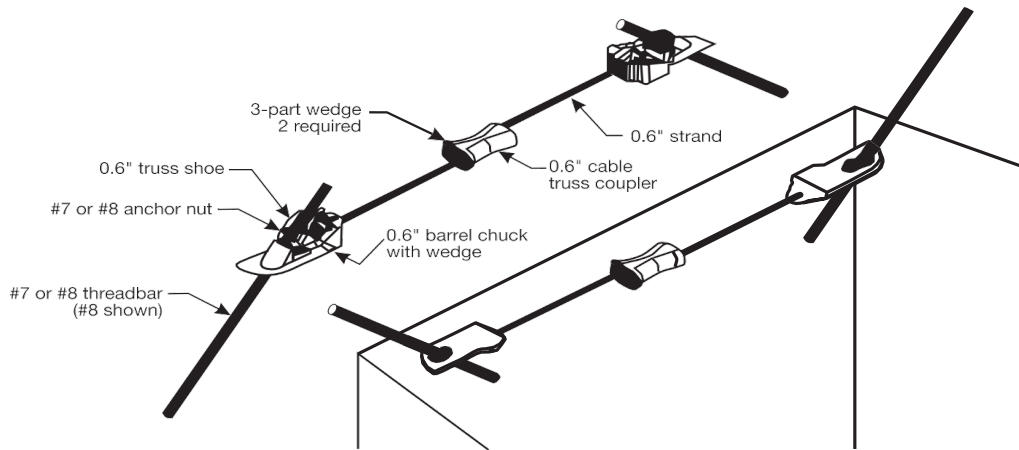


SanJuan EZ Truss

Category: Accesories

Overview

The SanJuan EZ Truss combines ease of installation with superior support performance. It can be installed safely from the bolter without exposure to unsupported roof at any time.



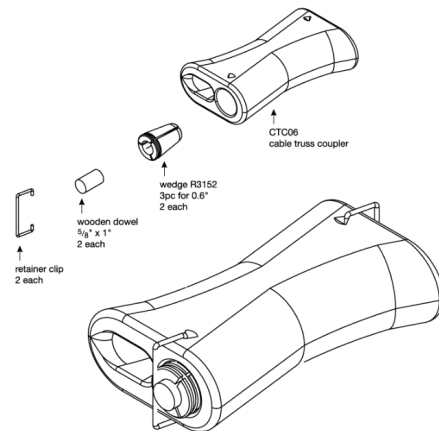
ASTM F432 gr6 -Nominal 30 Ton Capacity.

Installation accessories

The truss shoe and the inclined bolt can be installed first and separately from the truss.

A piece of 0.6" cable is inserted into the end of truss shoe automatically engaging the cable grip wedges. This can be done without leaving the protection of the bolter. Then both cables are fed through the cable truss coupler in the middle.

Wedges are installed into barrels against the cable truss coupler and stressing may commence using a hydraulic tensioning unit. The truss shoe is designed to accommodate #7 or #8 bar and angles between 45 and 60 degrees to the horizontal.



0.6" Cable Truss Coupler w/ wedges

Legal disclaimer

All dimensions, weights, quantities, and specifications are those applicable at the time of this publication and may be amended from time to time. Please contact your local representative for final confirmation of any key specifications.

Scan to get our app



iOS



Android