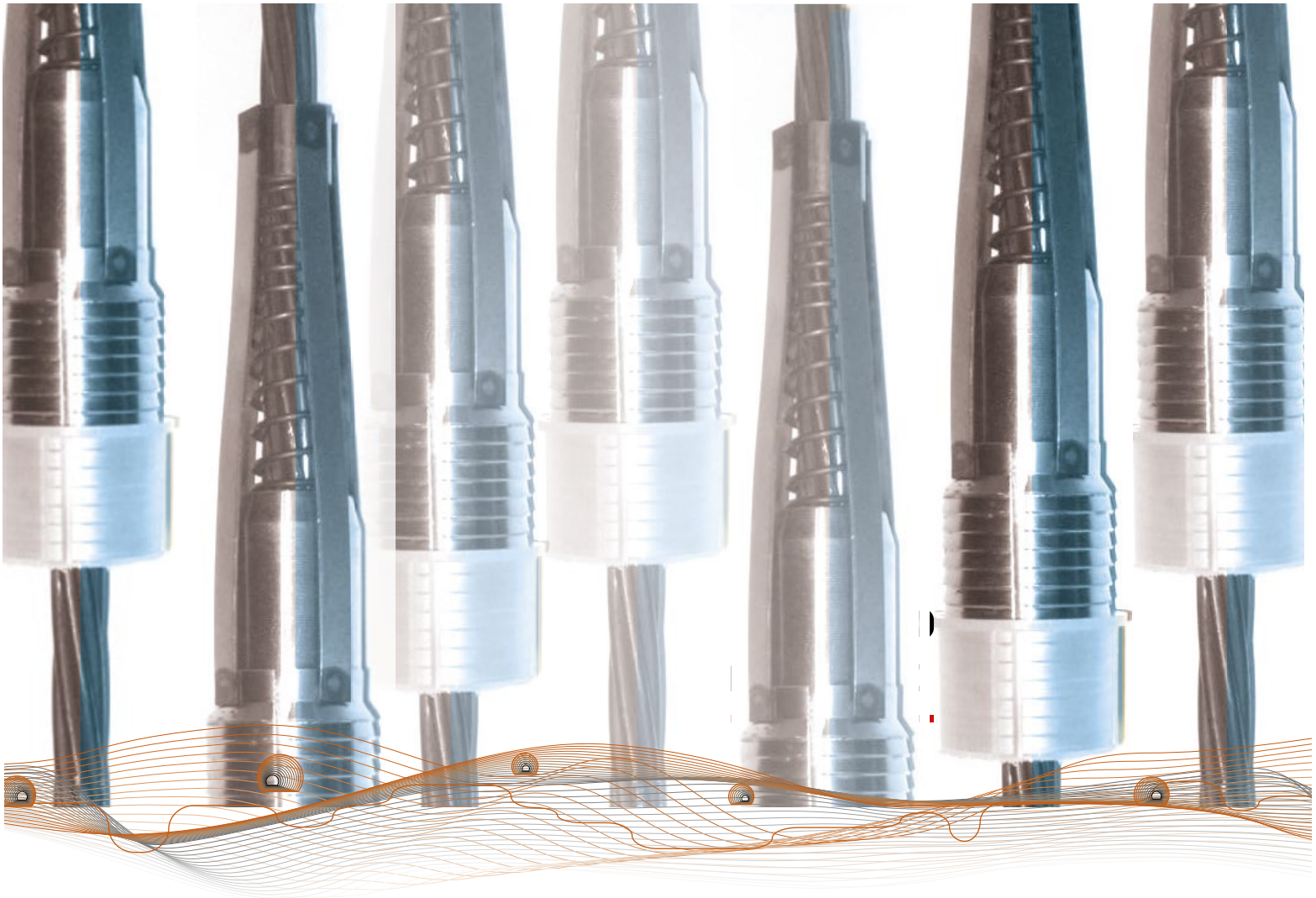


Cable-Lok Shell





CABLE-LOK SHELL

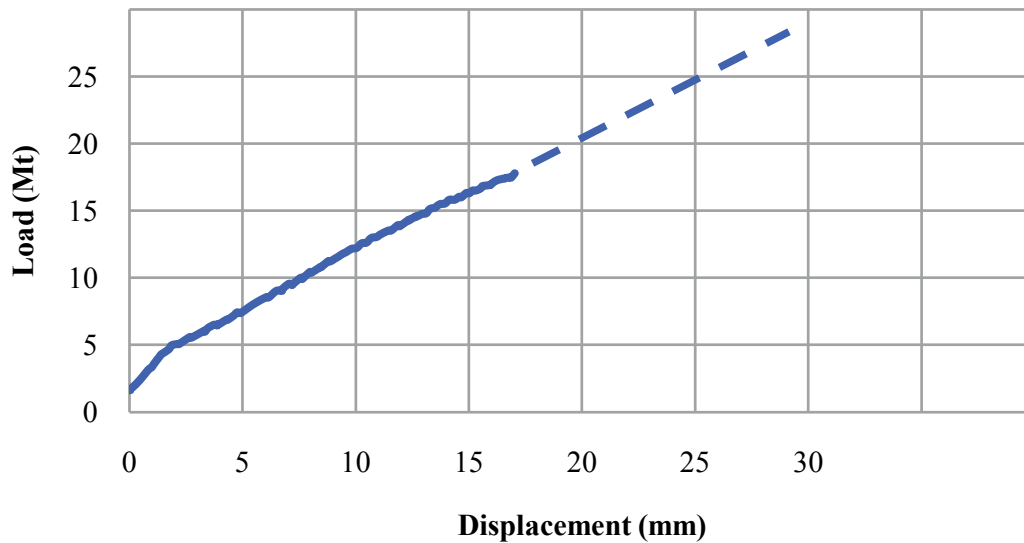
SPECIFICATIONS

Dimension:	Dia. 2" x 10" (Ø50mm x 250mm)
Cable:	0.6" (Ø15.24mm) or 0.7" (Ø17.78mm)
Drill Hole:	Dia. 2" ~ 2-1/2" (Ø57 ~ 65mm)
Suitability:	Medium soft to very hard rocks
Anchoring Capacity:	Exceeds the ultimate tensile strength of cable

ADVANTAGES

- Spring-loaded Cable-Lok shell is automatically set on installation
- Cable can be tensioned immediately
- Installation is easy and quick
- Tensioned cable provides immediate long tendon ground support
- Cable can provide pre-tensioned active support throughout its length
- Greatly improves installation time and cycle whether pre or post grouted

TYPICAL PERFORMANCE CURVE



Laboratory test with a 2' (610mm) cable anchored in an dia. 2-1/4" (Ø57mm) steel tube



CABLE-LOK SHELL

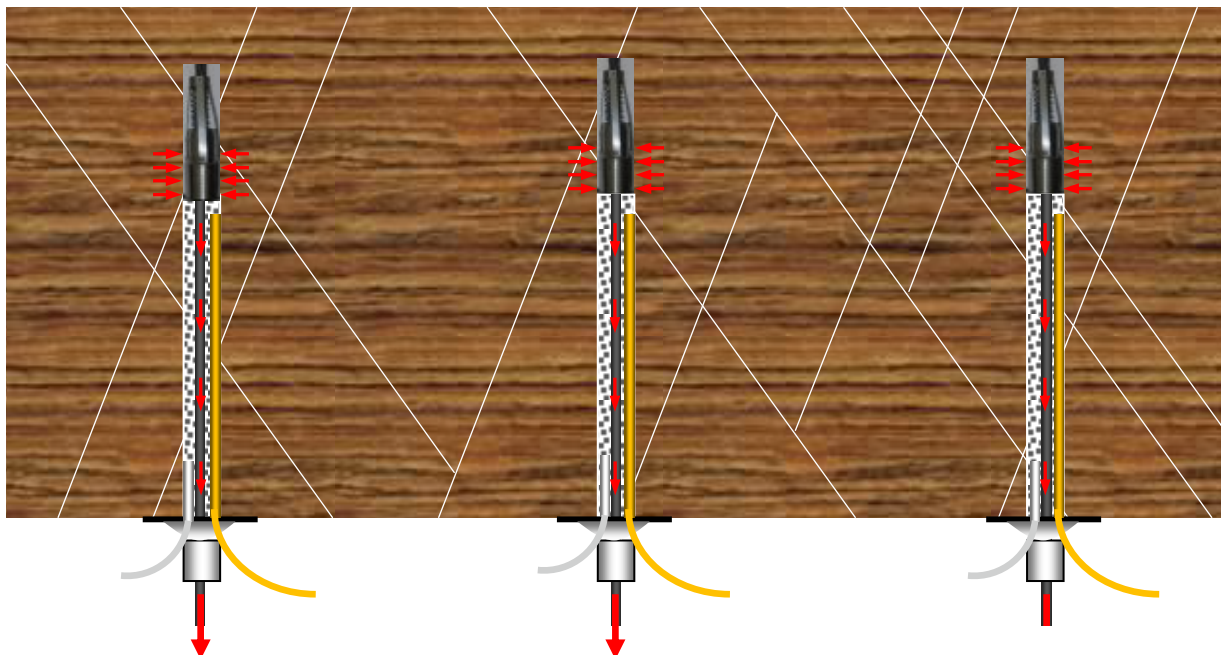
INSTALLATION PROCEDURE

- Drill a hole at the diameter and depth in accordance with the cable anchor and bolt
- For grouted cable, attach the grout and breather tubes to the cable
- Assemble the Cable-Lok Shell on the head of a cable bolt
- Remove the retainer band from the shell and insert the cable bolt assembled with the Cable-Lok shell into the hole together with grout and breather tubes.
- The cable shell sets automatically and the cable bolt can be tensioned immediately
- **For the case of pre-stressing cable before grouting**
 - Properly seal the collar
 - Set up the plate and cable grip
 - Smoothly lead the grouting and breathing tubes through the plate holes
 - Properly tension the bolt (usually 10 ton)
 - Fully grout the cable bolt by pumping the cement mortar into the hole
- **For the case of pre-stressing cable immediately after grouting**
 - Properly seal the collar
 - Fully grout the cable bolt by pumping the cement mortar into the hole
 - Set up the plate and cable grip immediately after grouting
 - Properly tension the bolt (usually 10 ton)

APPLICATION

- Pre-stressed cable bolting in large span areas
- Pre-stressed cable bolting in hanging wall
- Cable lacing anchors and others

CONCEPT OF PRE-STRESSED CABLE BOLTING



USA

DSI Underground Americas
Corporate Offices
Underground Division
12427 Pasture Road, Suite 201
Riverton, UT 84096, USA
Phone +1-385-55 75 500

DSI Underground Americas
Underground Division
447 DuPont Rd.
Martinsburg, WV 25404, USA
Phone +1-800 332-3308

DSI Tunneling LLC
1774 Mellwood Ave
Louisville, KY 40206-1756, USA
Phone +1-502 473-1010

DSI Tunneling LLC
1032 East Chestnut Street
Louisville, KY 40204-1019, USA
Phone +1-502 583-1001

Canada

DSI Underground Canada Ltd.
3919 Millar Avenue
Saskatoon, SK S7P 0C1, Canada
Phone +1-306 244-6244

DSI Underground Canada Ltd.
199 Mumford Road
Unit C&D
Lively, ON P3Y 1L2, Canada
Phone +1-705 692-6100

DSI Underground Canada Ltd.
853 Boulevard Rideau
Rouyn-Noranda, QC J9Y 0G3, Canada
Phone +1-819 762-0901

DSI Underground Canada Ltd.
15 Toulouse Crescent
Sturgeon Falls, ON P2B 0A5, Canada
Phone +1-705-753 4872

DSI Underground Canada Ltd.
17 Burns Rd., Unit 2
Whitehorse, YT Y1A 4Z3, Canada
Phone +1-867-393 2841

Mexico

DSI Underground Mexico S.A. de C.V.
Carretera a Base Aérea Militar No. 1002
Bodegas 13, 14 & 15
Parque Industrial FERRAN
San Juan de Ocotán, Zapopan, Jalisco
México, CP 45010
Phone +52-33-3366-57-94

Brazil

DSI Underground Systems Brasil
Indústria e Comércio Ltda.
Rua Um, 276
Distrito Industrial da bela Fama
Nova Lima/MG, Brazil
Phone +55-31-35 42 02 00

Chile

DSI Underground Chile SpA
Avda. Cordillera 482
Quilicura, Santiago, Chile
Phone +56-2-2680 5300

Colombia

DSI Colombia S.A.S
Carrera 43A No. 8 sur – 15 Oficina 403
Edificio Torre Oviedo
Medellín, Colombia
Phone +57-4-403 12 00

Peru

DSI Underground Peru S.A.C.
Av. Néstor Gambetta 4723
Callao, Peru
Phone: +51-1-716 75 00

ARGENTINA

AUSTRALIA

AUSTRIA

BELGIUM

BOSNIA AND HERZEGOVINA

BRAZIL

CANADA

CHILE

CHINA

COLOMBIA

COSTA RICA

CROATIA

CZECH REPUBLIC

DENMARK

EGYPT

ESTONIA

FINLAND

FRANCE

GERMANY

GREECE

GUATEMALA

HONDURAS

HONG KONG

INDIA

INDONESIA

IRAN

ITALY

JAPAN

KOREA

LEBANON

LUXEMBOURG

MALAYSIA

MEXICO

NETHERLANDS

NIGERIA

NORWAY

OMAN

PANAMA

PARAGUAY

PERU

POLAND

PORTUGAL

QATAR

RUSSIA

SAUDI ARABIA

SINGAPORE

SOUTH AFRICA

SPAIN

SWEDEN

SWITZERLAND

TAIWAN

THAILAND

TURKEY

UNITED ARAB EMIRATES

UNITED KINGDOM

URUGUAY

USA

VENEZUELA

Please Note:

This brochure serves basic information purposes only. Technical data and information provided herein shall be considered non-binding and may be subject to change without notice. We do not assume any liability for losses or damages attributed to the use of this technical data and any improper use of our products. Should you require further information on particular products, please do not hesitate to contact us.

www.dsiunderground.com